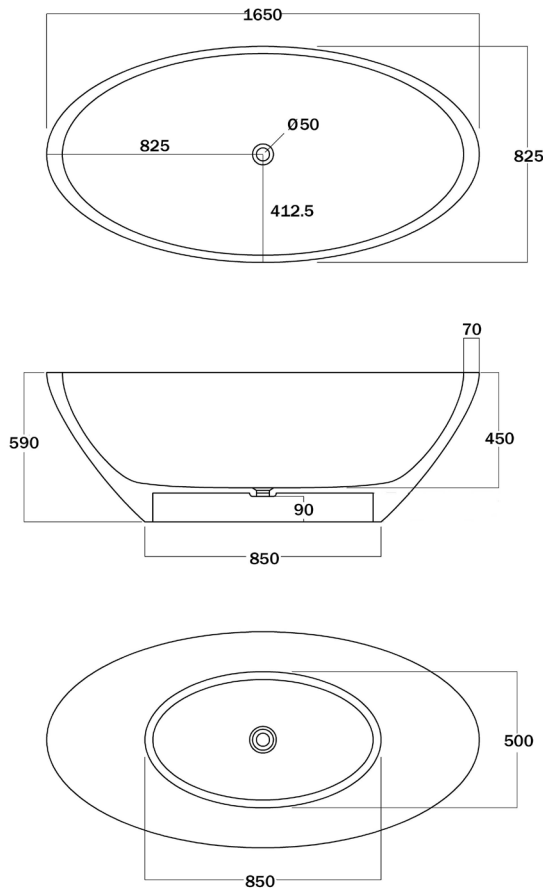


# Mojo Oval 1650 MJ01650



Product code: MJ01650  
 Colour: White Snow  
 Finish: **Matt**  
 Length: 1650mm  
 Width: 825mm  
 Height: 590mm  
 Depth: 450mm  
 Weight empty: 115kg (light weight formulae)  
 Tap holes: N/A  
 Capacity: 263L with overflow  
 Capacity: 318L without overflow  
 Waste: 40mm no overflow (not included)  
 Measurements can vary +/- 15mm



**Floor Requires  
Rebate For Trap**

